



RoHS Compliant

Illuminated Pushbutton - 22mm & 25mm

**Specifications**

Electrical Ratings	2A @ 24VDC 2A @ 125VAC 1A @ 250VAC
Sealing Degree	IP65
Electrical Life	50,000 cycles typical
Contact Resistance	≤ 50mΩ initial

Actuation Force	550 ±50gF
Actuation Travel	2.5 ± .3mm
Dielectric Strength	2000Vrms min contact to contact 2000Vrms min contact to LED
Insulation Resistance	≥ 100MΩ min
Operating Temperature	-25°C to 70°C
Storage Temperature	-25°C to 70°C

**Materials**

Actuator	Stainless Steel or Black Anodized Aluminum
LED Lens	Polycarbonate (PC)
Threaded Body	Stainless Steel or Black Anodized Aluminum
Terminal Support	Polybutylene Terephthalate (PBT)
Inner Switch Body	Polycarbonate (PC)
Contacts	Silver Alloy
Terminals	Brass, Epoxy Sealed
Hardware	One Hex Nut & One "O" Ring Supplied

**Ordering Information**

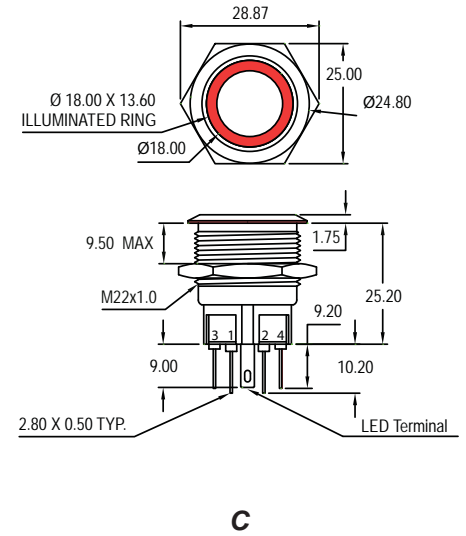
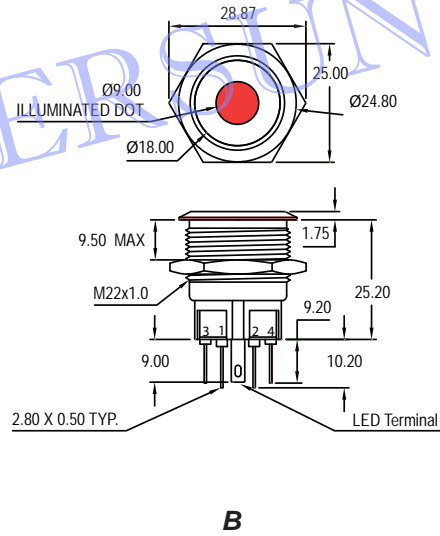
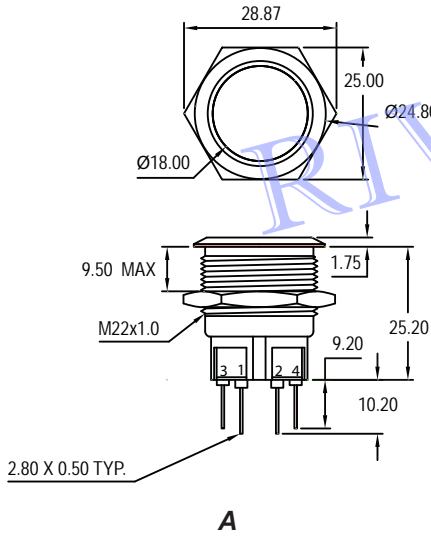
1. Series	DH22	1	N	B	S	Z	Z	Z
DH22 - 1 Pole only DH25 - 1 or 2 Pole								
2. Number of Poles	1 = SPST NO + SPST NC 2 = DPST NO + DPST NC **only available with DH25							
3. Latching Option	N = Momentary L = Latching							
4. Actuator Style:	A = Flush actuator, non-illuminated B = Flush actuator, ring illuminated C = Flush actuator, dot illuminated							
5. Switch Finish	S = Stainless Steel B = Black Anodized Aluminum							
6. First LED Color	Z = No LED R = Red Y = Yellow G = Green B = Blue W = White O = Orange							
7. Second LED Color	Z = No LED R = Red Y = Yellow G = Green B = Blue O = Orange **For bi-color LED option, White not available							
8. LED Voltage	Z = No LED 6 = 6V 12 = 12V 24 = 24V 110 = 110V 220 = 220V N = No internal resistor in series with the LED							

# DH

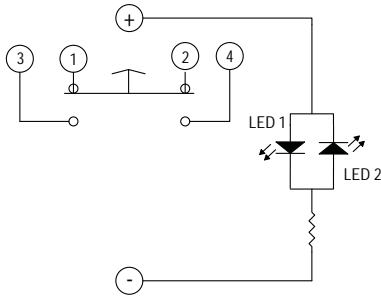
## Illuminated Pushbutton - 22mm

### Dimensions

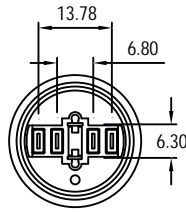
22mm - Actuator Styles, available in Single Pole only



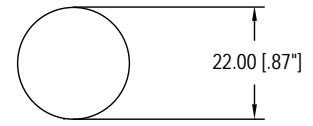
### Schematic



Schematic



Bottom View



MAXIMUM PANEL THICKNESS = 9.50 [.37"]

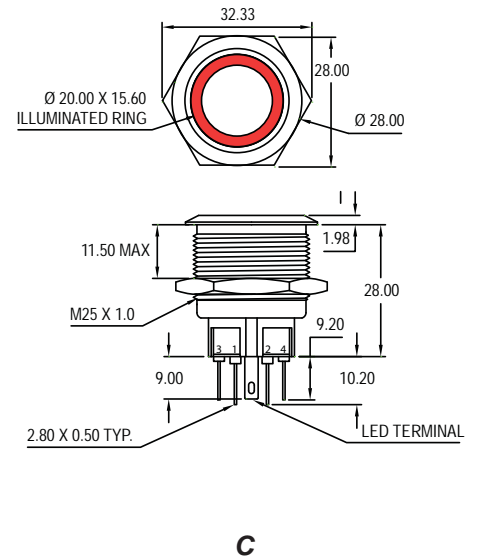
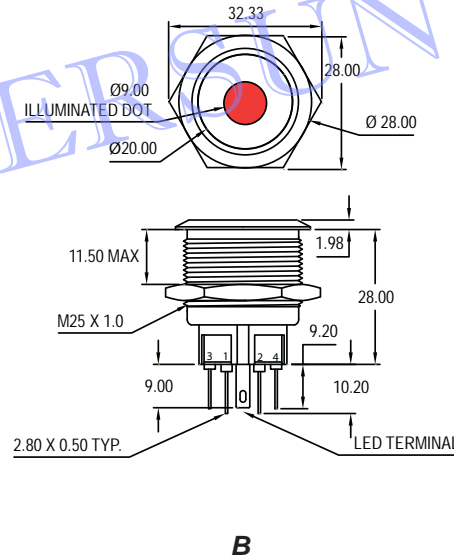
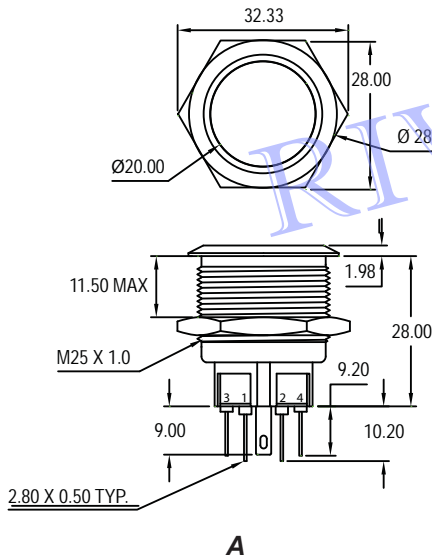
Panel Cut-Out

### LED Characteristics

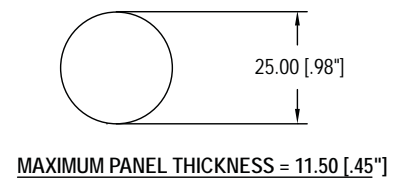
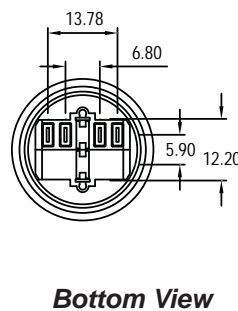
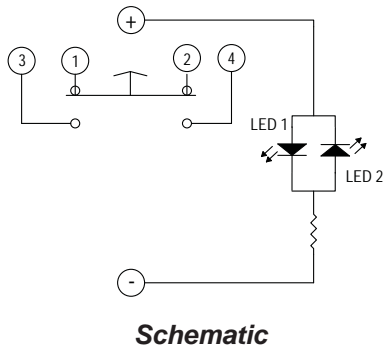
LED Ratings		Color						Units
		R	Y	G	B	O	W	
Reverse Voltage	$V_R$	5	5	5	5	5	5	V
Forward Current (peak)	$I_{FS}$	120	120	160	160	120	160	mA
Reverse Current $V_R = 5V$	$I_R$	10	10	10	10	10	10	$\mu A$
Power Dissipation	$P_T$	80	80	120	120	80	120	mW
Forward Voltage (typ) $I_F = 20mA$	$V_F$	2.1	2.1	3.3	3.3	2.0	3.0	V
Luminous Intensity, $I_F = 20mA$	LI	120	120	170	100	120	700	mcd

**Dimensions**

**25mm - Actuator Styles, available in Single Pole & Double Pole**



**Schematic - Single Pole**



**Schematic - Double Pole**

