

SPECIFICATIONS

Electrical Ratings	500mA @ 24VDC (see contact options)
Electrical Life	200,000 cycles typical
Mechanical Life	1,000,000 cycles typical
Contact Resistance	< 50 mΩ initial
Actuation Force	200 +/- 50gF
Actuator Travel	2.2 +/- .1mm
Dielectric Strength	1000Vrms min
Insulation Resistance	> 1000MΩ min
Operating Temperature	-40°C to 85°C
Storage Temperature	-40°C to 85°C



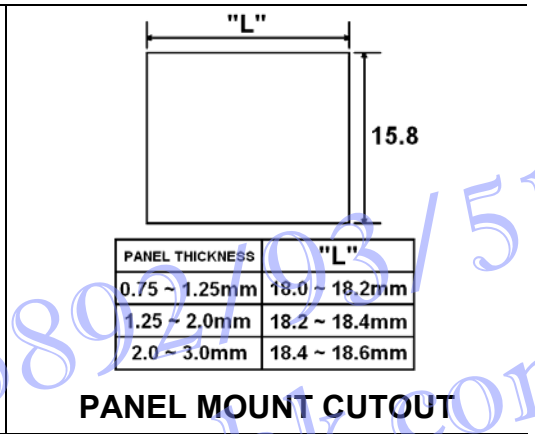
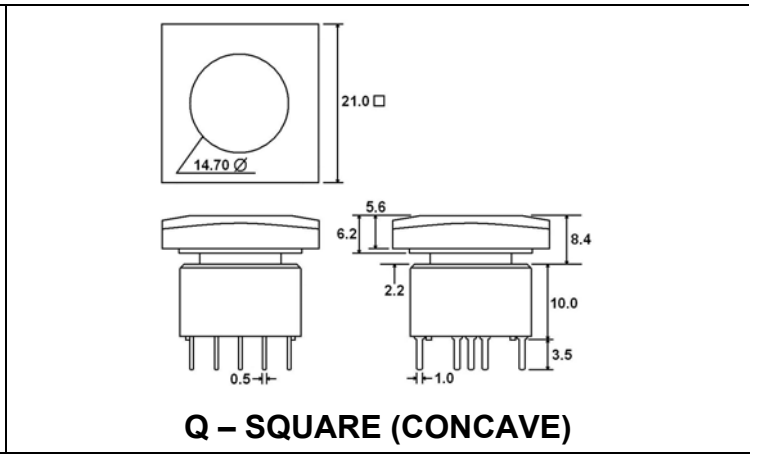
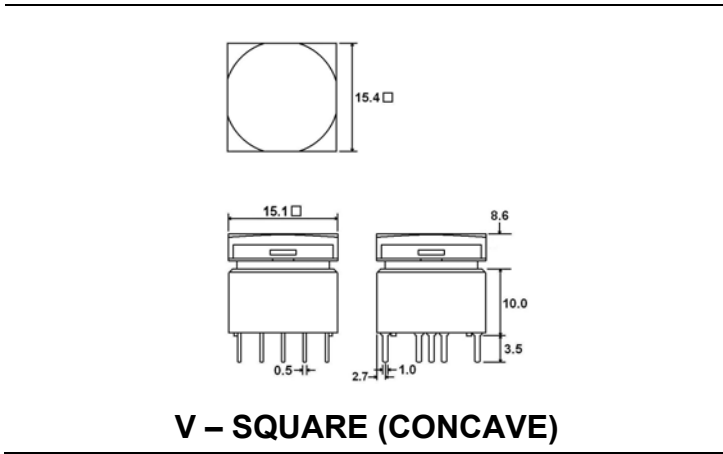
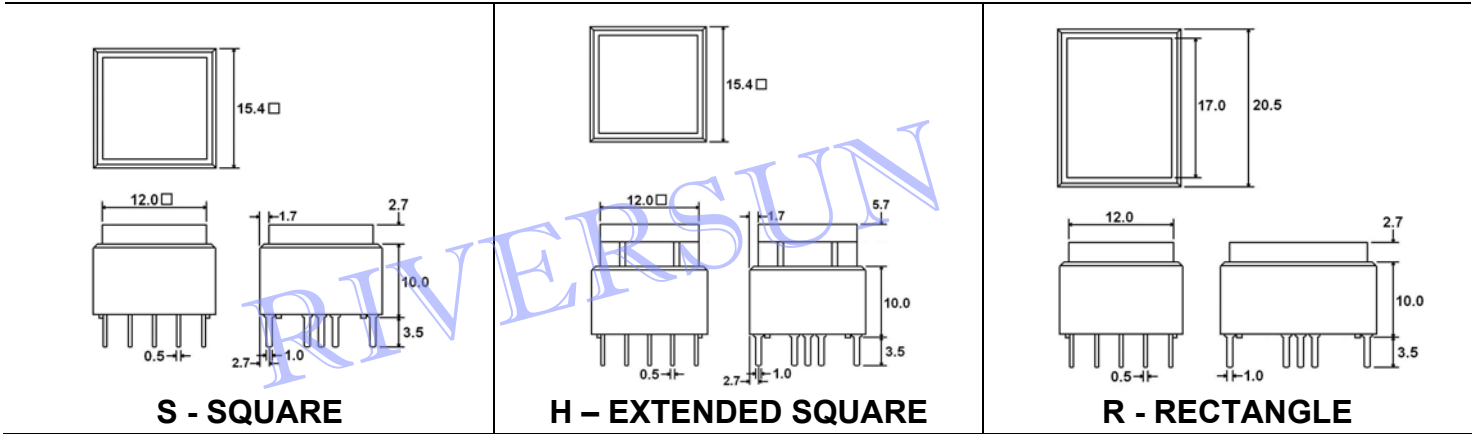
MATERIALS ←RoHS COMPLIANT

Actuator Cap	Poly Carbonate (PC)
Actuator Body	Poly Carbonate (PC)
Housing	Polyamide (PA), UL94V-0
Terminal Base	Polyamide (PA), UL94V-0
Contacts	Brass Rivet, Ag or Au plated
Terminals	Brass, Ag or Au plated

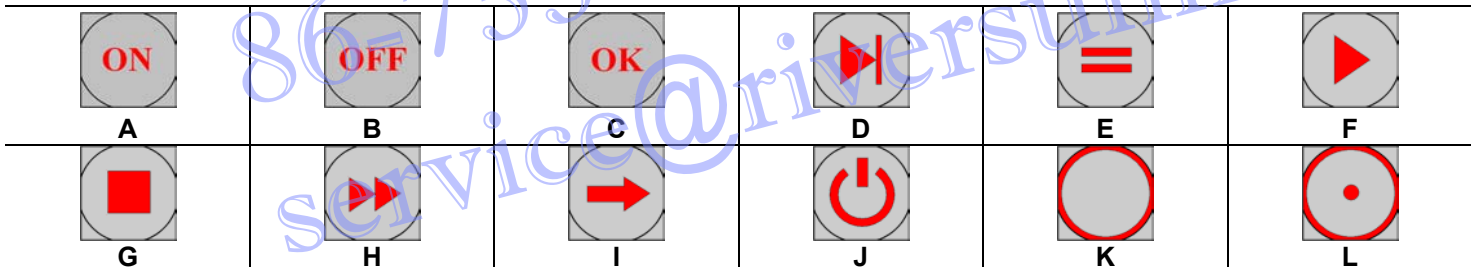
ORDERING INFORMATION

1. Series:	JC	V	1	RR	Q	Q	B	J							
2. Actuator Options:	S = Square H = Extended Square R = Rectangle V = Square (concave) Q = Square (concave) PS = Square (panel mount) PH = Square (extended square, panel mount)														
3. Number of Poles:	1 = SPDT 2 = DPDT														
4. Latching Option:	Blank = Momentary L = Latching **Not available with R actuator														
5. LED Options:	BB = Blue	RB = Red/Blue	YW = Yellow/White	RR = Red	WW = White	RW = Red/White	GB = Green/Blue	GG = Green	RY = Red/Yellow	YG = Yellow/Green	GW = Green/White	YY = Yellow	RG = Red/Green	YB = Yellow/Blue	BW = Blue/White
6. Contact Material:	**See Contact Option section for details														
	Q = Silver R = Gold														
7. Diffuser Color Options:	Blank = White (standard)		6. Actuator Color Options: **available only with V and Q actuators												
	3 = Red		Blank = Clear (standard)												
	4 = Yellow		3 = Red												
	5 = Green		4 = Yellow												
	7 = Blue		5 = Green												
			7 = Blue												
9. Laser Etching Colors:	Blank = No Laser Etching Color		10. Laser Etching Styles:												
	MS =Misty Silver		Blank = No Laser Etching Style												
	B = Black		A D G J												
			B E H K												
			C F I L												
**Laser etching styles are only available with the V actuators. A colored film is applied to the actuator and is laser etched to allow the LED to shine through the pattern.															

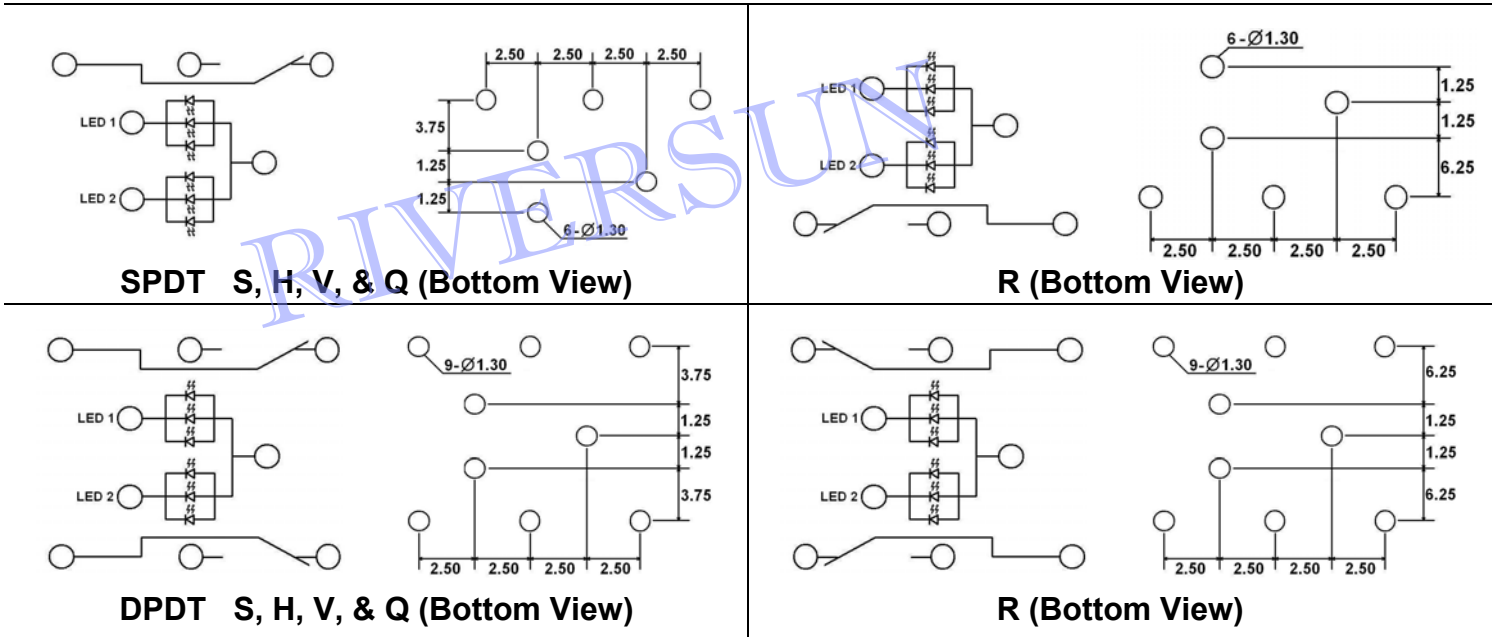
DIMENSIONS



LASER ETCHING STYLES



SCHEMATICS & PC LAYOUTS



LED SPECIFICATIONS

LED Ratings		Value					Units
		R	G	Y	B	W	
Reverse Voltage	V_R	5	5	5	5	5	V
Forward Current (avg)	I_F	30	30	30	30	30	mA
Forward Current (peak)	I_{FS}	100	120	100	100	100	mA
Reverse Current $V_R = 5V$	I_R	10	10	10	10	10	μA
Power Dissipation	P_T	100	100	100	120	120	mW
Operating Temperature	T_A	-40~ +85					$^{\circ}C$
Storage temperature	T_{STG}	-40~ +85					$^{\circ}C$
Forward Voltage (typ.), $I_F = 20mA$	V_F	1.7	1.7	1.7	3.5	3.5	V
Forward Voltage (max.), $I_F = 20mA$	V_F	2.6	2.6	2.6	4.0	4.0	V
Wavelength at Peak Emission, $I_F = 20mA$	λ_P	697	565	585	470	N/A	nm
Spectral Line Half-Width, $I_F = 20mA$	$\Delta\lambda$	20	20	20	25	N/A	nm
Luminous Intensity, $I_F = 20mA$	LI	171	171	171	450	400	Mcd
Viewing Angle	Θ	50	50	50	50	50	Deg

CONTACT OPTIONS

Designator	Contact Material	Terminal Material	Electrical Ratings
Q	Silver Plating	Silver Plating	500mA @ 24VDC
R	Gold over Nickel Plating	Gold over Nickel Plating	.4 VA max @ 20VAC or VAC max