

**SPECIFICATIONS**

Electrical Ratings	50mA @ 24VDC
Electrical Life	500,000 cycles typical (momentary) 100,000 cycles typical (latching)
Contact Resistance	< 10 mΩ initial
Actuation Force	150 +/- 50gF
Actuator Travel	1.5 +/- .3mm
Dielectric Strength	1000Vrms min
Insulation Resistance	> 100MΩ min
Operating Temperature	-40°C to 85°C
Storage Temperature	-40°C to 85°C



**MATERIALS ←RoHS COMPLIANT**

Cap	6/6 Nylon
Housing	6/6 Nylon
Stem	ABS
Contacts	Copper Alloy, Gold over Nickel Plated
Terminals	Copper Alloy, Gold over Nickel Plated

**ORDERING INFORMATION**

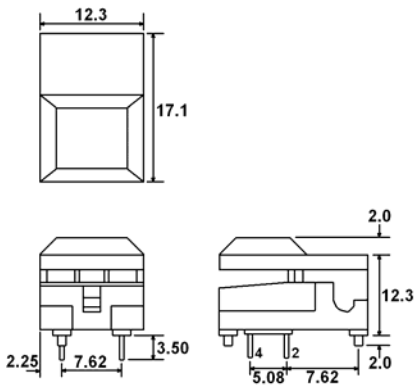
<b>1. Series:</b>	<b>JH</b>	<b>A1</b>	<b>3</b>	<b>1</b>
JH (Momentary)				
JHL (Latching)				
<b>2. Cap Style:</b>				
A0				
A1				
A2				
B0				
B1				
B2				
<b>3. Cap Color:</b>				
1 = White	6 = Orange			
2 = Black	7 = Blue			
3 = Red	9 = Light Gray			
4 = Yellow	10 = Transparent			
5 = Green				
<b>4. LED 1 - Color:</b>				
Blank = No LED				
R = Red				
Y = Yellow				
G = Green				
<b>5. LED 2 - Color:</b>				
Blank = No LED				
R = Red				
Y = Yellow				
G = Green				

86-755-26055892/93/51  
 service@riversunhk.com

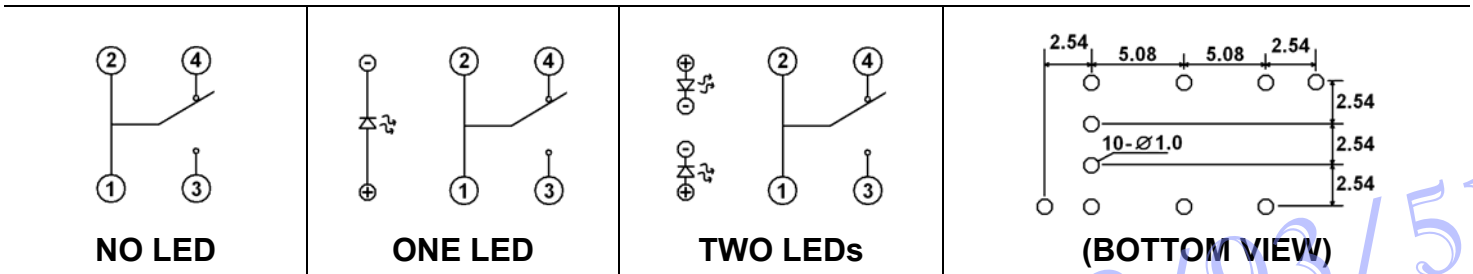
## LED SPECIFICATIONS

LED Ratings		Value			Units
		R	G	Y	
Reverse Voltage	$V_R$	5	5	5	V
Forward Current (avg / peak)	$I_F / I_{FS}$	30 / 125	30 / 125	30 / 125	mA
Reverse Current $V_R = 5V$	$I_R$	10	10	10	$\mu A$
Power Dissipation	$P_T$	69	81	81	mW
Forward Voltage (typ. / max), $I_F = 20mA$	$V_F$	1.8 / 2.3	2.2 / 2.7	2.2 / 2.7	V
Wavelength, Peak Emmission, $I_F = 20mA$	$\lambda_P$	660	565	585	nm
Spectral Line Half-Width, $I_F = 20mA$	$\Delta\lambda$	24	30	35	nm
Luminous Intensity, $I_F = 20mA$	LI	4	6	6	mcd
Viewing Angle	$\Theta$	150	150	150	Deg

## DIMENSIONS



## SCHEMATICS & PC LAYOUT



## CAP OPTIONS

