

SPECIFICATIONS

Electrical Ratings	100mA @ 30VDC
Electrical Life	100,000 cycles typical
Contact Resistance	< 50 mΩ initial
Actuation Force	150 +/- 80gF 260 +/- 30gF
Actuator Travel	1.0 mm to lock 1.7 mm full travel
Dielectric Strength	1000Vrms min
Insulation Resistance	> 100MΩ min
Operating Temperature	-40°C to 85°C
Storage Temperature	-40°C to 85°C



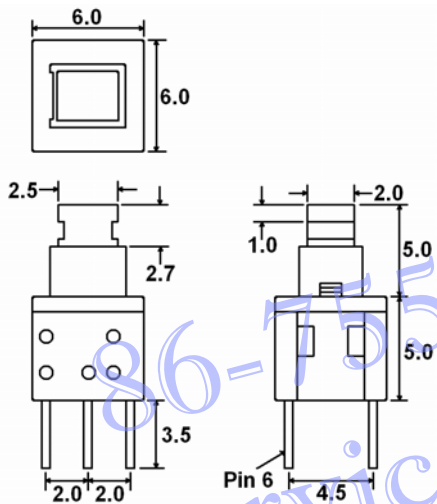
MATERIALS ←RoHS COMPLIANT

Actuator	Acetal
Housing	PBT
Cover	PBT
Latching Pin	Stainless Steel
Spring	Stainless Steel
Contacts	Phosphor Bronze, Silver Plated
Terminals	Brass, Silver Plated

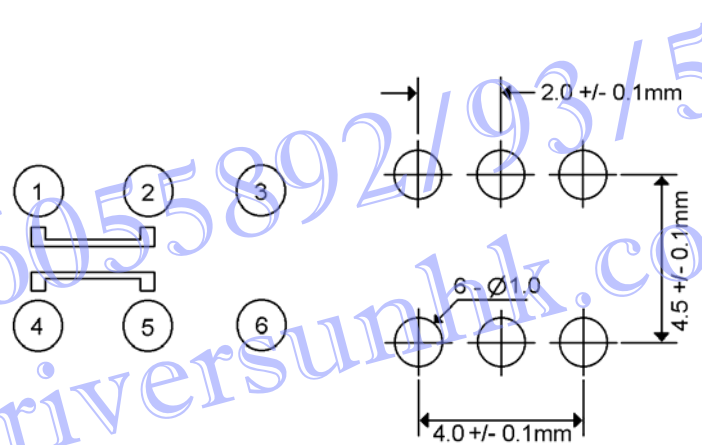
ORDERING INFORMATION

1. Series:	LP2284	F150	N
LP2284			
2. Actuation Force:			
F150 = 150gF			
F260 = 260gF			
3. Latching:			
N = Non-latching			
L = Latching			

DIMENSIONS



SCHEMATIC & PC LAYOUT



86-755-26055892/93/51
 service@riversunhk.com