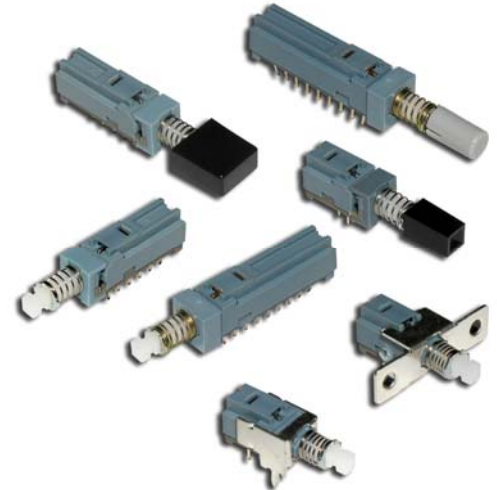


SPECIFICATIONS

Electrical Ratings	100mA @ 30 VDC
Electrical Life	30,000 cycles typical
Contact Resistance	< 50 mΩ max initial @ 2-4VDC, 100mA
Dielectric Strength	1250Vrms min
Insulation Resistance	> 100MΩ min
Operating Temperature	-20°C to 70°C
Storage Temperature	-40°C to 85°C

MATERIALS ←RoHS COMPLIANT

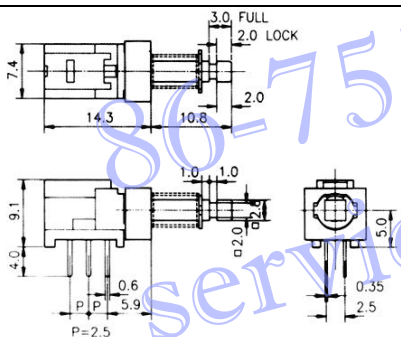
Actuator	POM, UL94-HB
Housing	PBT, UL94-HB
Terminal Base	6/6 Nylon, UL94-HB
Contacts	Phosphor Bronze, Ag plated
Terminals	Brass, Ag plated
Chassis	Steel
Spring	Steel
Latching Pin	Steel



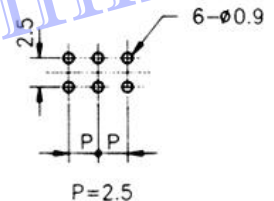
ORDERING INFORMATION

Series:	RPH	2	N	P	C012
RPH					
Number of Poles:					
2 = DPDT					
4 = 4PDT					
6 = 6PDT					
Switch Function:					
N = Non-latching					
L = Latching					
Terminal Options:					
P = PC Terminals					
S = Snap-In PC Terminals					
Mounting Options:					
Blank = No Chassis (standard)					
C = Mounting Chassis, Single Stage					
Z = PC Mounting Bracket					
Caps:	Cap Colors:				
Blank = No Cap					
C01	** See Cap Options for color availability				
C02					
C03					
C04					
C05					

DIMENSIONS - DPDT

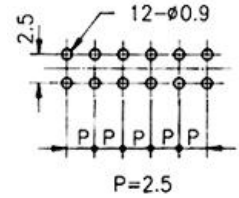
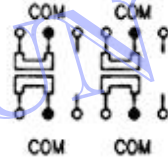
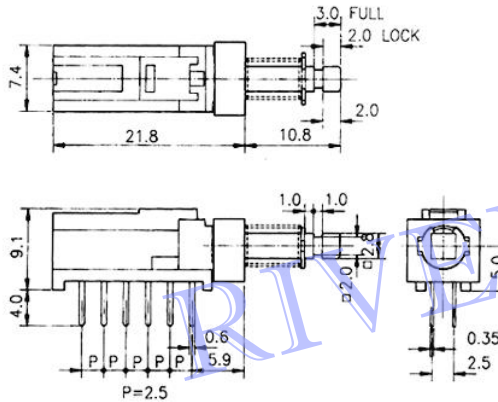


SCHEMATIC & PC LAYOUT



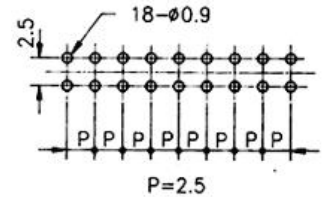
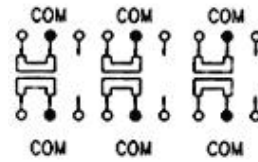
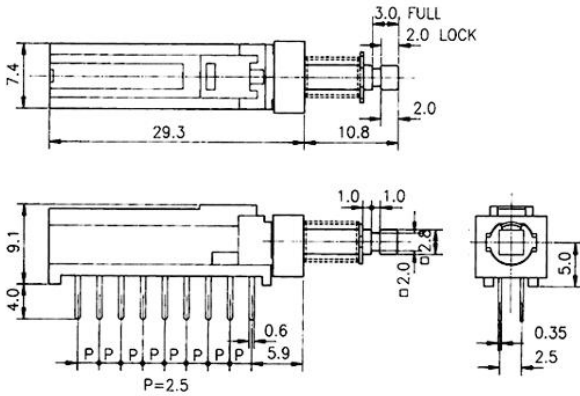
DIMENSIONS – 4PDT

SCHEMATIC & PC LAYOUT

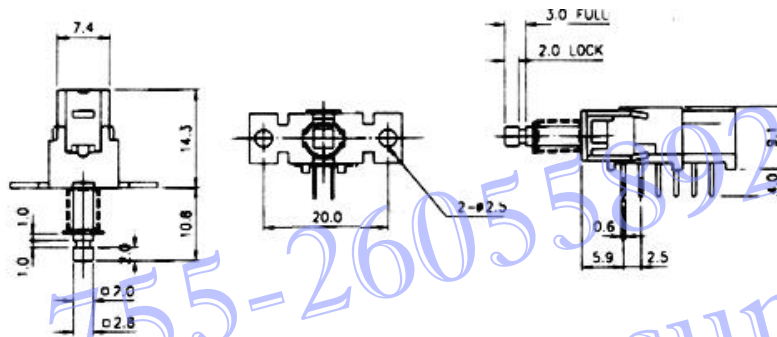


DIMENSIONS – 6PDT

SCHEMATIC & PC LAYOUT



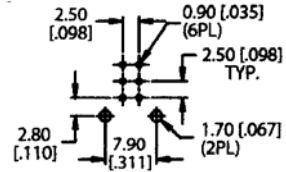
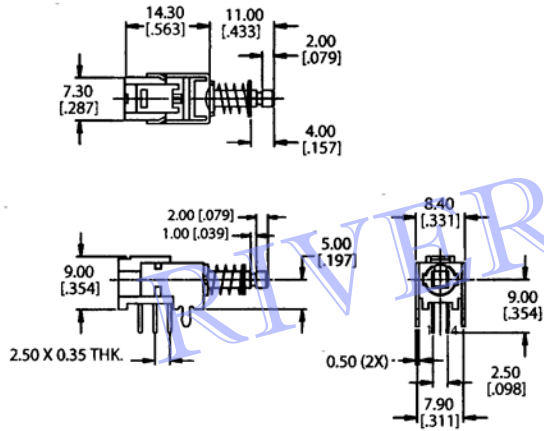
MOUNTING OPTIONS



C - SINGLE STAGE CHASSIS

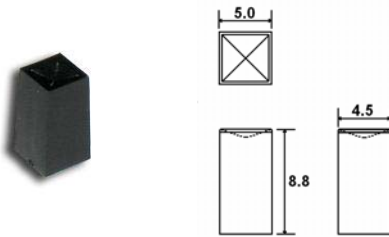
86-755-26055892/93/51
 service@riversunhk.com

MOUNTING OPTIONS



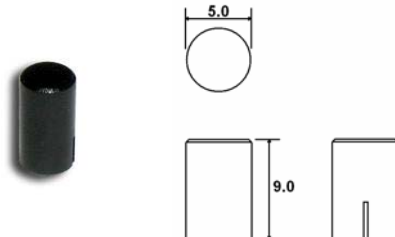
Z – PC MOUNTING BRACKET

CAP OPTIONS



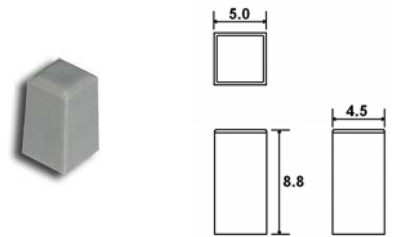
C01_

1 = White, 2 = Black, 3 = Red, 9 = Light Gray
 Contact Factory for other available colors



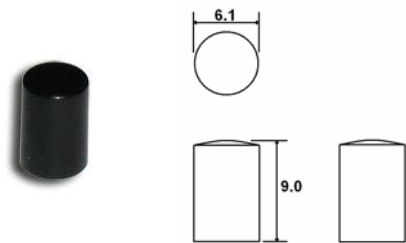
C02_

1 = White, 2 = Black, 3 = Red, 9 = Light Gray
 Contact Factory for other available colors



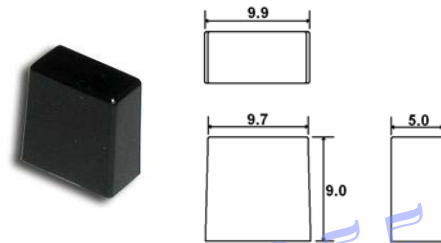
C03_

1 = White, 2 = Black, 3 = Red, 9 = Light Gray
 Contact Factory for other available colors



C04_

1 = White, 2 = Black, 3 = Red, 9 = Light Gray
 Contact Factory for other available colors



C05_

1 = White, 2 = Black, 3 = Red, 9 = Light Gray
 Contact Factory for other available colors

86-755-26055892/93/51
 service@riversunhk.com