

**SPECIFICATIONS**

Electrical Ratings	100mA @ 30VDC
Electrical Life	300,000 cycles typical
Contact Resistance	< 50 mΩ max initial
Dielectric Strength	250Vrms min
Actuation Force	160 +/- 50gF
Travel	1.4 +/- .2mm
Insulation Resistance	> 100MΩ min
Operating Temperature	-40°C to 85°C
Storage Temperature	-40°C to 85°C



**MATERIALS** ← RoHS COMPLIANT

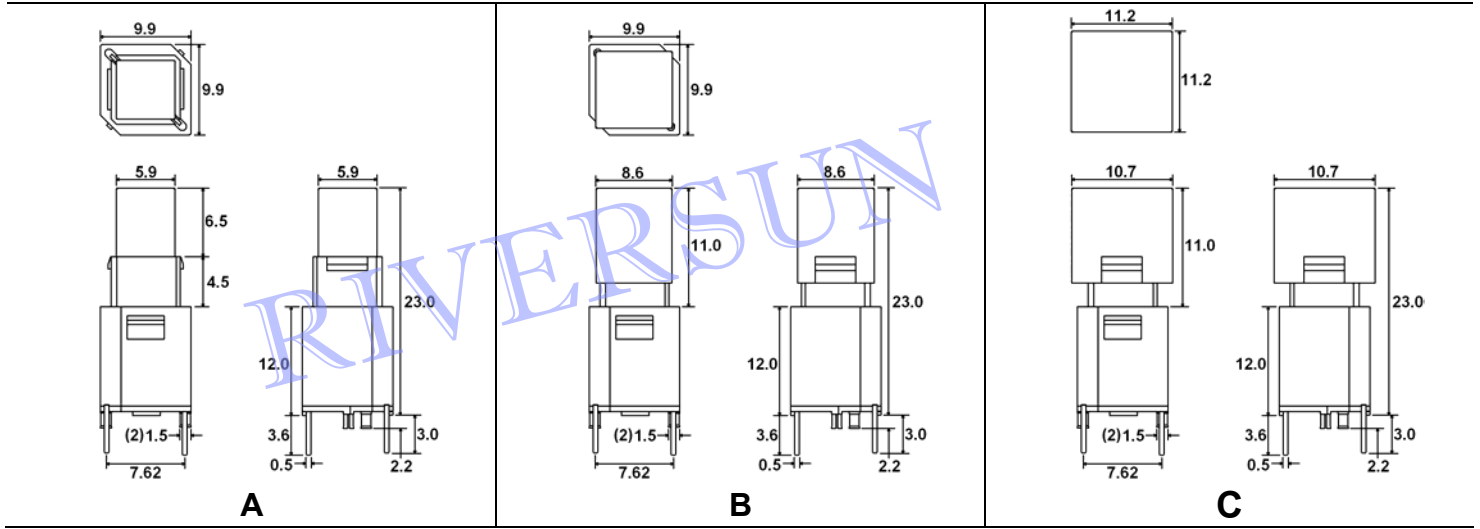
Actuator	6/6 Nylon
Housing	6/6 Nylon
Caps	PC
Contacts	Conductive Rubber
Terminals	Brass, Gold Plated

**ORDERING INFORMATION**

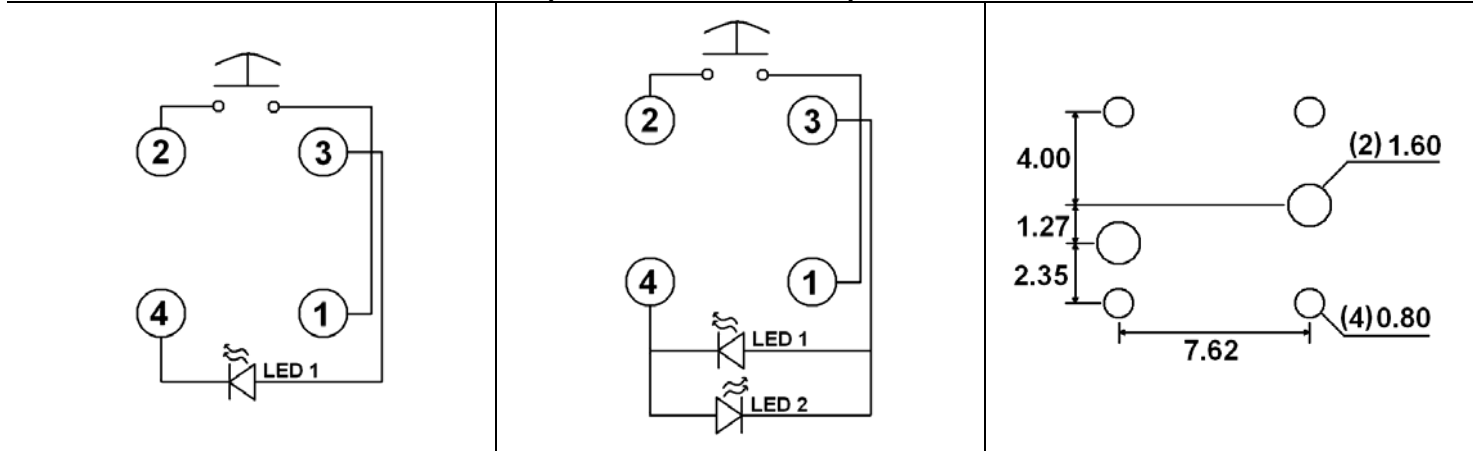
<b>Series:</b>	<b>RT</b>	<b>A</b>	<b>1</b>	<b>W</b>
RT				
<b>Actuator Style:</b>				
A				
B				
C				
<b>Actuator Color:</b>				
1 = White Semi-transparent				
2 = Black, Opaque, for use with laser etching				
3 = Red Semi-transparent, 3T = Red Transparent				
4 = Yellow Semi-transparent, 4T = Yellow Transparent				
5 = Green Semi-transparent, 5T = Green Transparent				
7 = Blue Semi-transparent, 7T = Blue Transparent				
9 = Dark Gray, Opaque, for use with laser etching				
0 = Clear Semi-transparent				
MS = Misty Silver, Opaque, for use with laser etching				
<b>LED Colors:</b>				
X = No LED	RY = Red/Yellow dual LED			
R = Red	RG = Red/Green dual LED			
Y = Yellow	RB = Red/Blue dual LED			
G = Green	YG = Yellow/Green dual LED			
PG = Pure Green	YB = Yellow/Blue dual LED			
B = Blue	GB = Green/Blue dual LED			
W = White	<b>**White &amp; Pure Green are only available as a single color LED</b>			
<b>Laser Etching Styles:</b>				
Blank = No laser etching style				
A	F			
B	G			
C	H			
D	I			
E	J			

86-755-26055892/93/51  
service@riversunhk.com

**DIMENSIONS**



**SCHEMATICS & PC LAYOUT (BOTTOM VIEWS)**


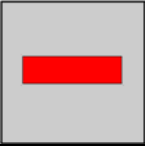

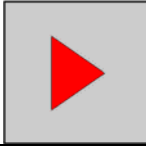

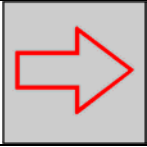

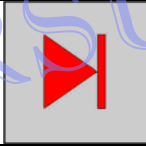
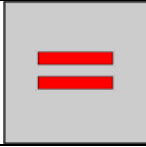
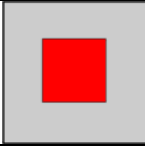
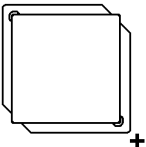


**LED CHARACTERISTICS**

LED Ratings		COLORS							Units
		R	Y	G	B	PG	W		
Reverse Voltage	$V_R$	5	5	5	5	5	5	V	
Forward Current (avg)	$I_F$	30	30	30	30	30	30	mA	
Forward Current (peak)	$I_{FS}$	90	60	120	100	100	100	mA	
Reverse Current $V_R = 5V$	$I_R$	50	10	10	50	50	50	μA	
Power Dissipation	$P_T$	75	75	100	120	120	120	mW	
Operating & Storage Temperature	$T_A$	-40~ +85							°C
Forward Voltage (typ.), $I_F = 20mA$	$V_F$	2.1	1.7	1.7	3.5	3.5	3.5	V	
Forward Voltage (max.), $I_F = 20mA$	$V_F$	2.4	2.6	2.6	4.0	4.0	4.0	V	
Wavelength at Peak Emmission, $I_F = 20mA$	$\lambda_p$	630	590	565	470	525	N/A	nm	
Spectral Line Half-Width, $I_F = 20mA$	$\Delta\lambda$	20	20	30	30	36	N/A	nm	
Luminous Intensity, $I_F = 20mA$	LI	50	350	90	1500	1100	2700	mcd	
Viewing Angle	$\theta$	44	40	44	30	28	40	Deg	

755-265802-193/51  
service@citswitch.com

**LASER ETCHING STYLES**

				
<b>A</b>	<b>B</b>	<b>C</b>	<b>D</b>	<b>E</b>
				
<b>F</b>	<b>G</b>	<b>H</b>	<b>I</b>	<b>J</b>
 <p><b>All laser etching styles will be orientated with the + terminal located on the right hand side with respect to the legend.</b></p>				

86-755-26055892/93/51  
 service@riversunhk.com