

SPECIFICATIONS

Electrical Ratings	3A @ 120VAC, 28VDC; 1.5A @ 250VAC See contact options
Electrical Life	30,000 cycles typical
Contact Resistance	< 20 mΩ max initial @ 2-4VDC, 100mA
Dielectric Strength	1000Vrms min
Insulation Resistance	> 1,000MΩ min
Operating Temperature	-40°C to 85°C
Storage Temperature	-40°C to 85°C



Process Sealed
UL US - E222871

MATERIALS ← RoHS COMPLIANT


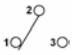

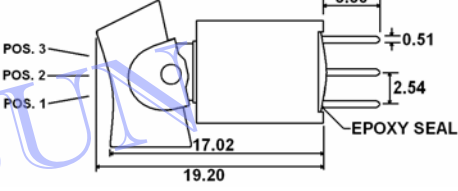
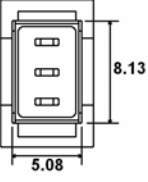



Actuator	6/6 Nylon, Glass Filled, Flame Retardant Heat Stabilized, UL94V-0
Housing	6/6 Nylon, Glass Filled, Flame Retardant Heat Stabilized, UL94V-0
Support Bracket	Brass, Tin Plated
Contacts	Copper Alloy, Silver Plated
Terminals	Copper Alloy, Silver Plated


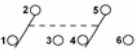

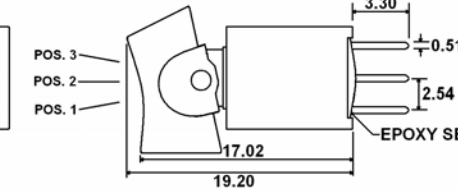
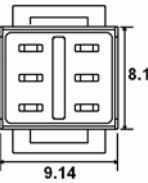



ORDERING INFORMATION

Series:	BSR	1	3	R1	2			C	Q
<p>Number of Poles: 1 = SPDT 2 = DPDT</p> <p>Switch Function: 1 = ON-NONE-ON 2 = ON-NONE-(ON) 3 = ON-OFF-ON 4 = (ON)-OFF-(ON) ** Only available in SPDT 5 = ON-OFF-(ON) ** Only available in SPDT</p> <p>Actuator: R1 = Rocker, PC Mount R2 = Rocker, PC Mount</p> <p>Actuator Color: 1 = White 2 = Black 3 = Red</p> <p>Actuator Marking Style: Blank = No Marking A B C</p> <p>Actuator Marking Color: Blank = No Marking W = White (Standard) B = Black</p> <p>Terminals: C = PC Pin H = Horizontal Mount, Right Angle PC Pin; HS = Snap-in V = Vertical Mount, Right Angle PC Pin; VS = Snap-in A5 = PC Pin with Support Bracket; A5S = Snap-in Support Bracket</p> <p>Contacts: Q = Silver Plated R = Gold Plated G = Gold over Silver Plated</p>									

86-755-26055892/93/51
service@riversunhk.com

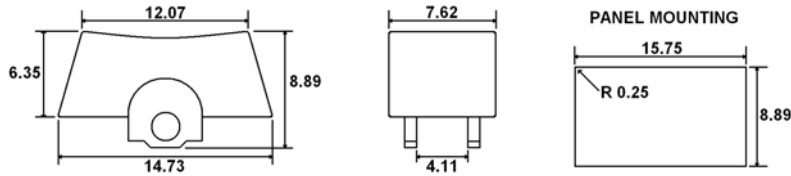
SWITCH FUNCTION

 SPDT 	Function	Toggle Position			  
		  			
	1	ON	NONE	ON	
	2	ON	NONE	(ON)	
	3	ON	OFF	ON	
	4	(ON)	OFF	(ON)	
5	ON	OFF	(ON)		
Terminals	2-3	---	2-1		

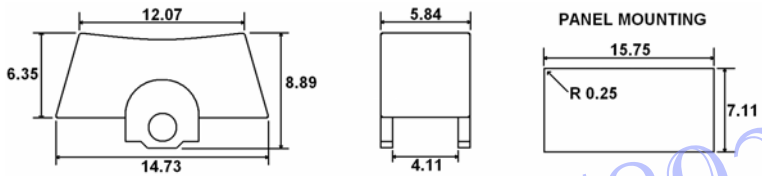
 DPDT 	Function	Toggle Position			  
		  			
	1	ON	NONE	ON	
	2	ON	NONE	(ON)	
	3	ON	OFF	ON	
	Terminals	2-3	---	2-1	

ACTUATOR OPTIONS

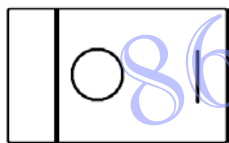
R1



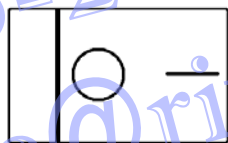
R2



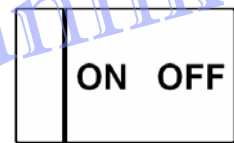
ACTUATOR MARKINGS



A



B



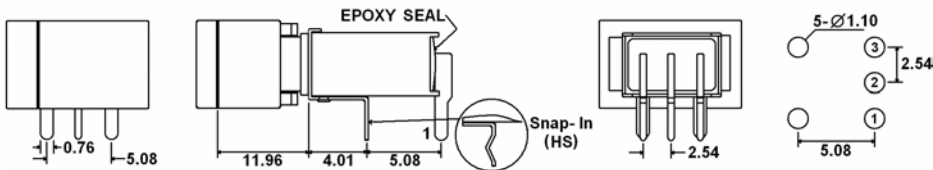
C

86-755-26055892/93/51
service@riversunhk.com

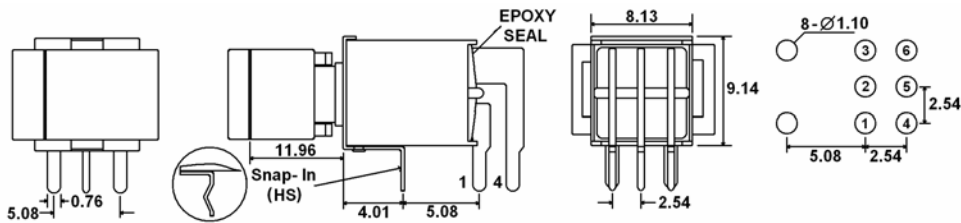
TERMINAL OPTIONS



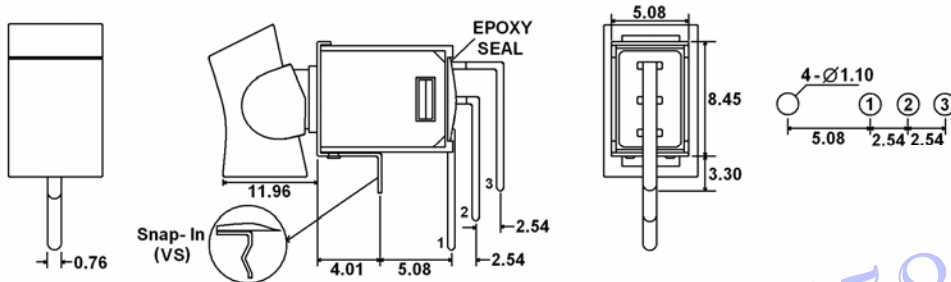
TERMINAL OPTIONS



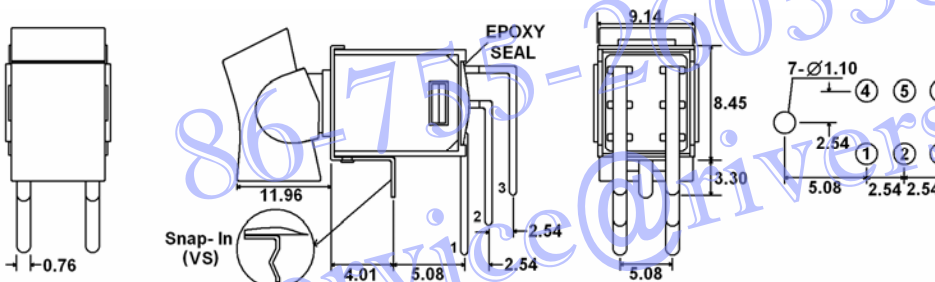
H (HS – Snap-in) = Horizontal Mount, Right Angle PC Pins (SPDT)



H (HS – Snap-in) = Horizontal Mount, Right Angle PC Pins (DPDT)

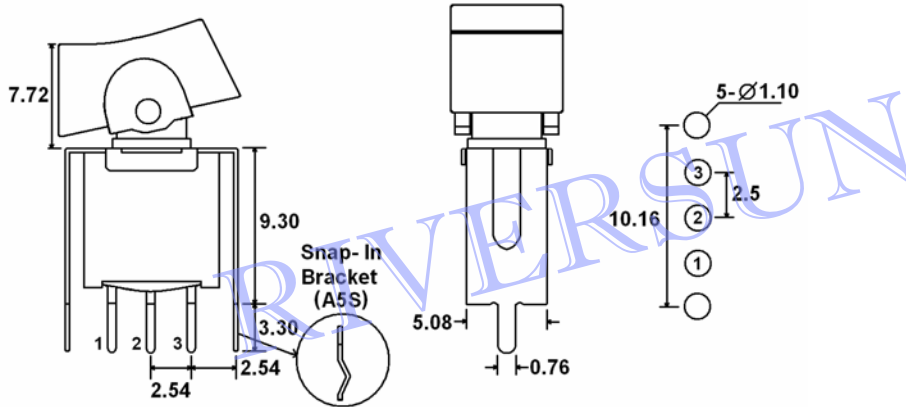


V (VS – Snap-in) = Vertical Mount, Right Angle PC Pins (SPDT)

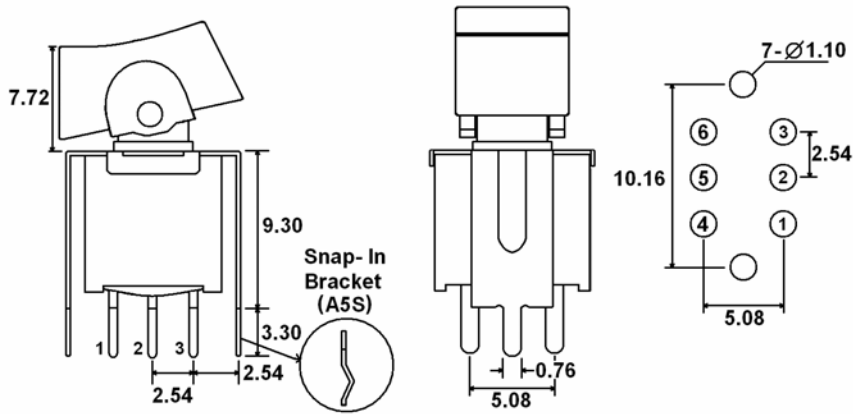


V (VS – Snap-in) = Vertical Mount, Right Angle PC Pins (DPDT)

TERMINAL OPTIONS



A5 (A5S – Snap-in Bracket) = PC Pins with Support Bracket (SPDT)



A5 (A5S – Snap-in Bracket) = PC Pins with Support Bracket (DPDT)

CONTACT OPTIONS

Designator	Contact Material	Terminal Material	Electrical Ratings
Q	Silver Plating	Silver Plating	3A @ 120VAC, 28VDC; 1.5A @ 250VAC
R	Gold over Nickel Plating	Gold over Nickel Plating	.4 VA max @ 20VAC or VDC max
G	Gold over Silver Plating	Gold over Silver Plating	.4 VA max @ 20VAC or VDC max or 3A @ 120VAC, 28VDC; 1.5A @ 250VAC

86-755-2605 (ext. 93/51)
service@riversunhk.com